

# Mayne Instructions # MIS046

## Optional Fill Port/Drainage Hole

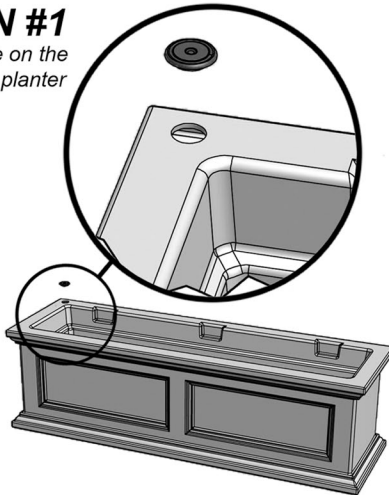
**MAYNE**<sup>®</sup>  
Outdoor Products of Distinction

**SPECIAL NOTE:** The plug is provided as an added feature so the following steps are optional. Not intended for use on the bottom of the planter as the plug may not create a water tight seal.

Mayne planters are molded with a double wall design that creates an internal water reservoir. To provide direct access to the reservoir we recommend drilling a 3/4 inch hole on the top or back side of the planter. To cover the hole we have included a rubber plug that can be easily removed to fill or drain the planter as needed.

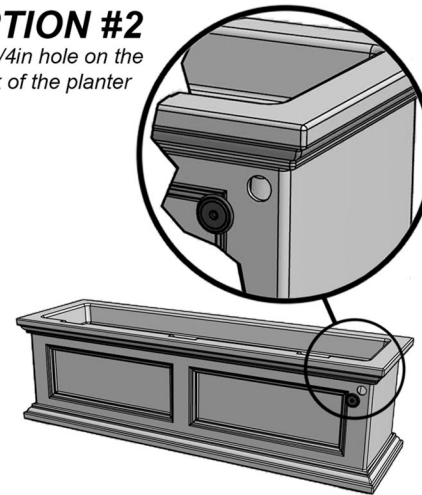
### **OPTION #1**

*Drill 3/4in hole on the top rim of the planter*



### **OPTION #2**

*Drill 3/4in hole on the back of the planter*



For more information please email [info@gomayne.com](mailto:info@gomayne.com) or call toll free **866-363-8834** (Monday to Friday 8am-5pm EST).