

# Bordeaux

Model # 8890

## Bordeaux Trough Planter



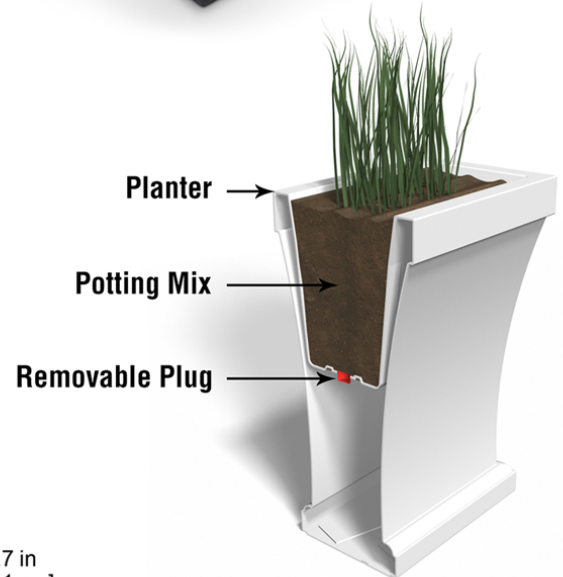
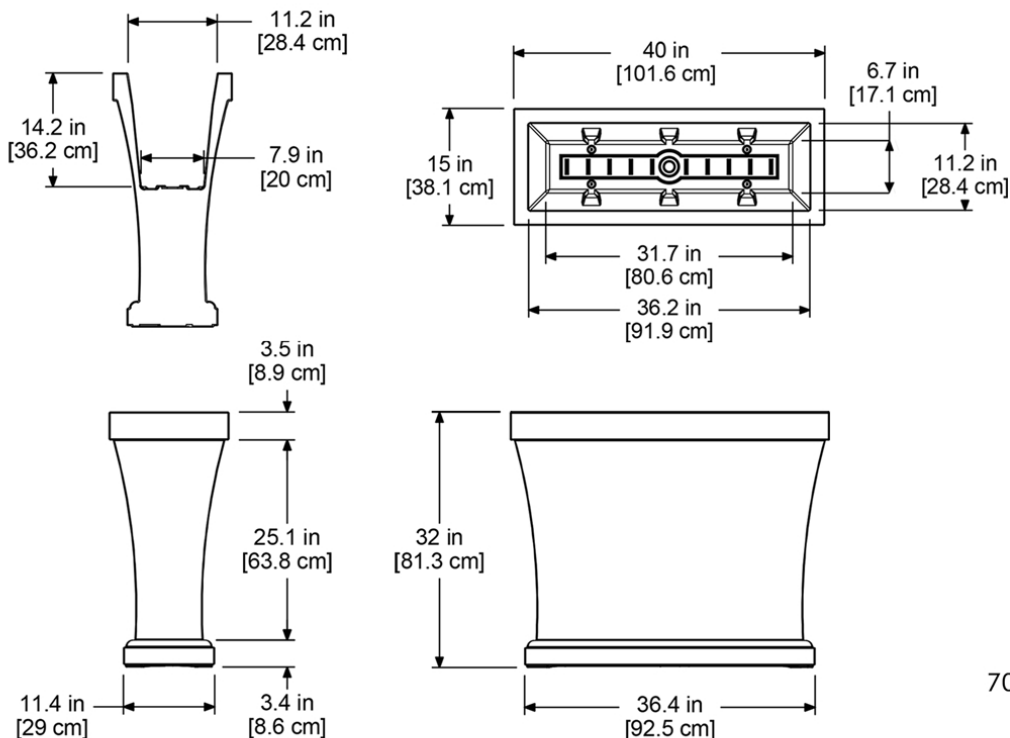
### DESCRIPTION

The Bordeaux Trough Planter offers up the right balance of style and durability that you should expect from a high quality polyethylene product. The trough design has a narrow footprint making it the ideal choice for privacy dividers or barriers for outdoor living spaces and patios.

- Double wall design for increased rigidity
- Textured finish for increased durability
- Weather resistant, low maintenance material
- 100% high-grade polyethylene planter with UV inhibitors
- Warranty: 15-Yr Residential Use / 5-Yr Commercial Use

### PRODUCT DIMENSIONS

**Outside Dimensions:** 40in L x 15in W x 32in H (101.6cm x 38.1cm x 81.3cm)  
**Inside Dimensions:** 36.2in L x 11.2in W x 14.2in D (91.9cm x 28.4cm x 36.2cm)  
**Soil Capacity:** 17.5 Gallons (66 Liters)  
**Wall Thickness:** 0.2in (5mm)  
**Part Weight:** 35lbs (15.8kg)  
**Material:** Polyethylene



**MAYNE**<sup>®</sup>  
CONTRACT

7024 Kilbourne Rd - Unit A London, ON N6P 1K6  
Tel: 866-363-8834 | [www.maynecontract.com](http://www.maynecontract.com)  
[customerservice@gomayne.com](mailto:customerservice@gomayne.com)